

DELISTAR Folding blinds

Cross-section

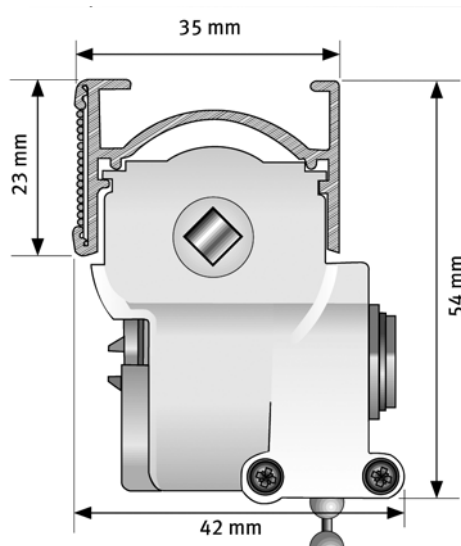


Fig. on a scale of 1:1
All dimensions in mm



DELIUS
WORLD OF TEXTILES SINCE 1722

www.deli.us.de

DELISTAR

DELIUS GmbH & Co. KG
Goldstraße 16-18
33602 Bielefeld | Germany
Phone +49(0)521/543 432
info@deli.us.de

DELISTAR Folding blinds

Installation instructions

The folding blind system must be attached to the ceiling using ceiling brackets / small tension bolts at an appropriate distance from the wall. The first and last brackets must be positioned 5 - 10 cm from the beginning and end of the technology, all other brackets must be positioned at a distance of 50 - 70 cm.

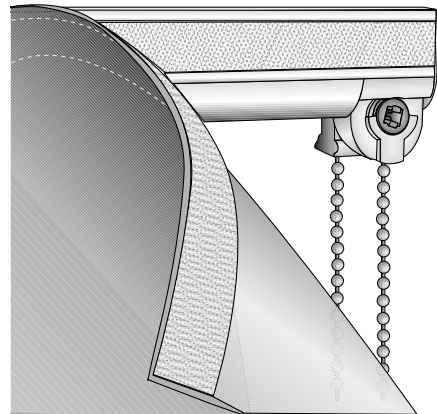
The folding roller blind technology must be pressed onto the ceiling supports screwed under the ceiling.

In addition to ceiling installation, wall installation is also possible using wall brackets.

DELISTAR Folding blinds

Tender text for folding blind systems

- Aluminium cassette white colour-coated only 40 x 35 cm
- Hanging weight max. 3.6 kg, package height 20-25 cm
- Mounting options: Wall and ceiling
- Self-bracketing gear on the left or right
- Fibreglass rods with suspended tucks
- Aluminium drop rod in hemstitch
- Concealed roman blind technology
- curtain can be easily removed using Velcro technology
- Stepless operation with endless bead chain
- Large variety of designs and colours



DELIUS
WORLD OF TEXTILES SINCE 1722

www.delius.de

DELISTAR

DELIUS GmbH & Co. KG
Goldstraße 16-18
33602 Bielefeld | Germany
Phone +49(0)521/543 432
info@delius.de